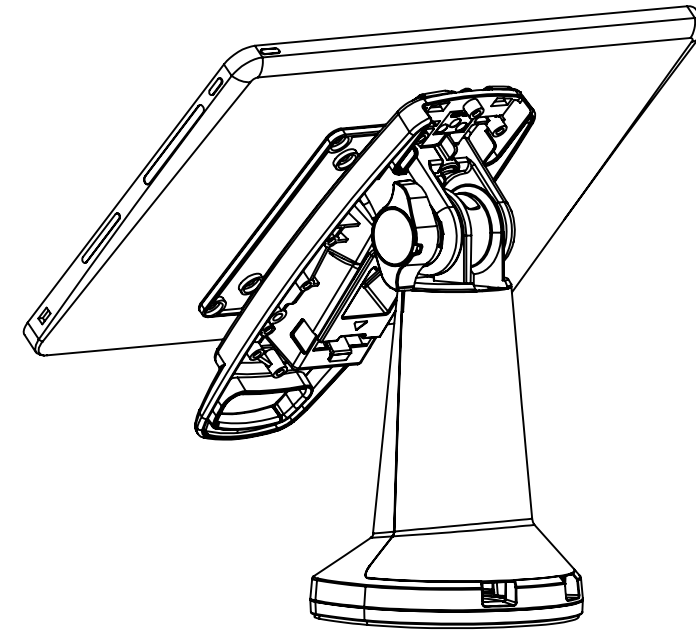
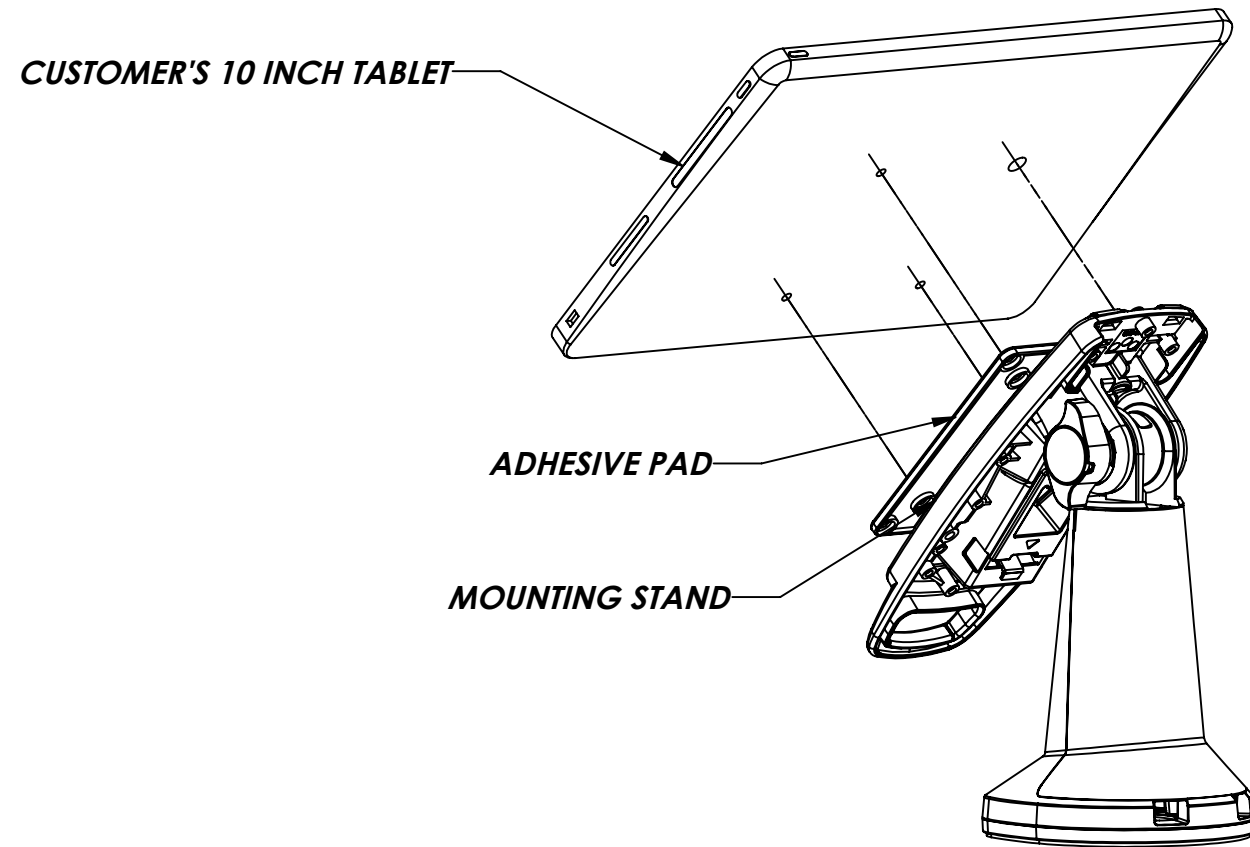


# INSTALLATION INSTRUCTIONS



**ASSEMBLY STEPS:**

1. REMOVE PAPER BACKER FROM GLUE PAD UNDER FROM **MOUNTING STAND** AND ATTACH THE **CUSTOMER'S 10 INCH TABLET** UNTO THE **MOUNTING STAND** AS SHOWN.
2. ROUTE THE **DEVICE CABLE**.

## CUSTOMER INSTRUCTIONS

A	INITIAL RELEASE	06/02/21	JVT	JVT
<b>REV.</b>	<b>DESCRIPTION</b>	<b>DATE</b>	<b>BY</b>	<b>CHK'D</b>
DRAWN J. TERVEER				
DATE 6/2/2021				
CUSTOMER APPROVAL (SIGNATURE REQUIRED):		14451 Ewing Ave - Burnsville, MN 55306 952-767-1005		
		TITLE FLEXPole FIRSTBASE STAND		
ALL DIMENSIONS ARE IN INCHES				
DATE	SIZE B	DWG. NO. TAB40121	REV. A	
				SHEET 1 OF 1