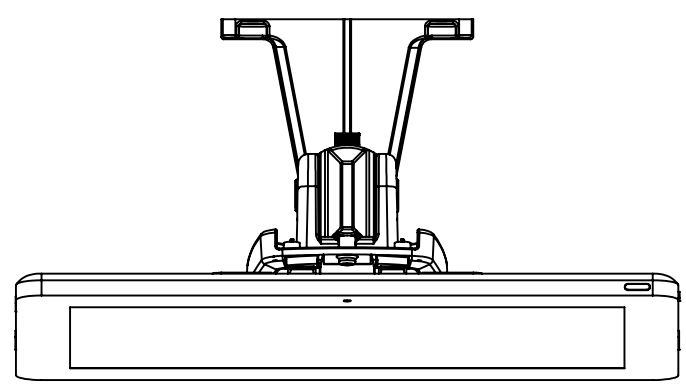


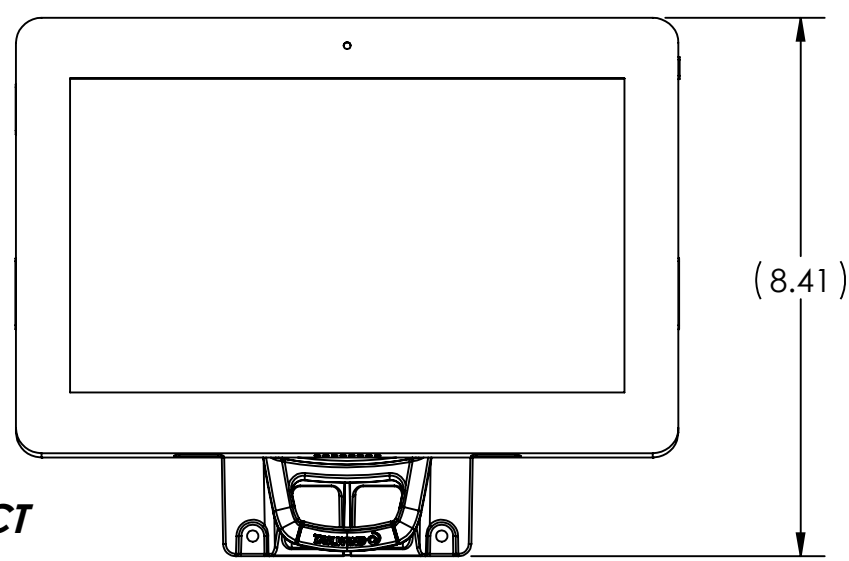
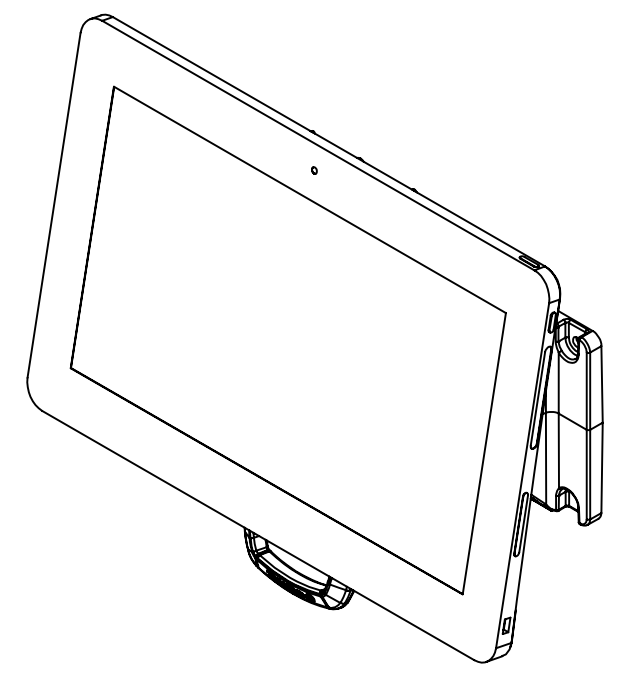
8 7 6 5 4 3 2 1

D  
C  
B  
A

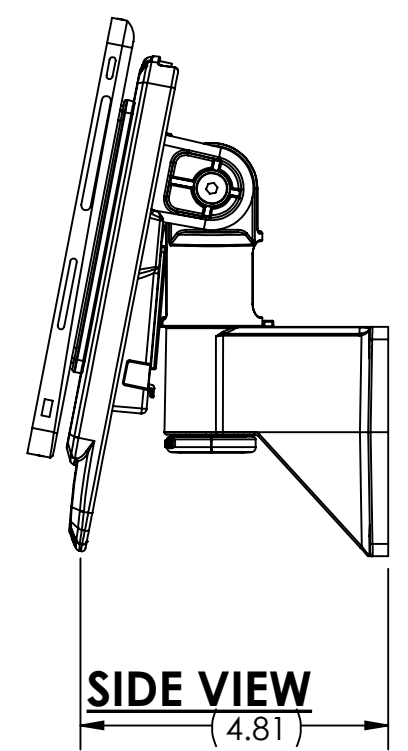
D  
C  
B  
A



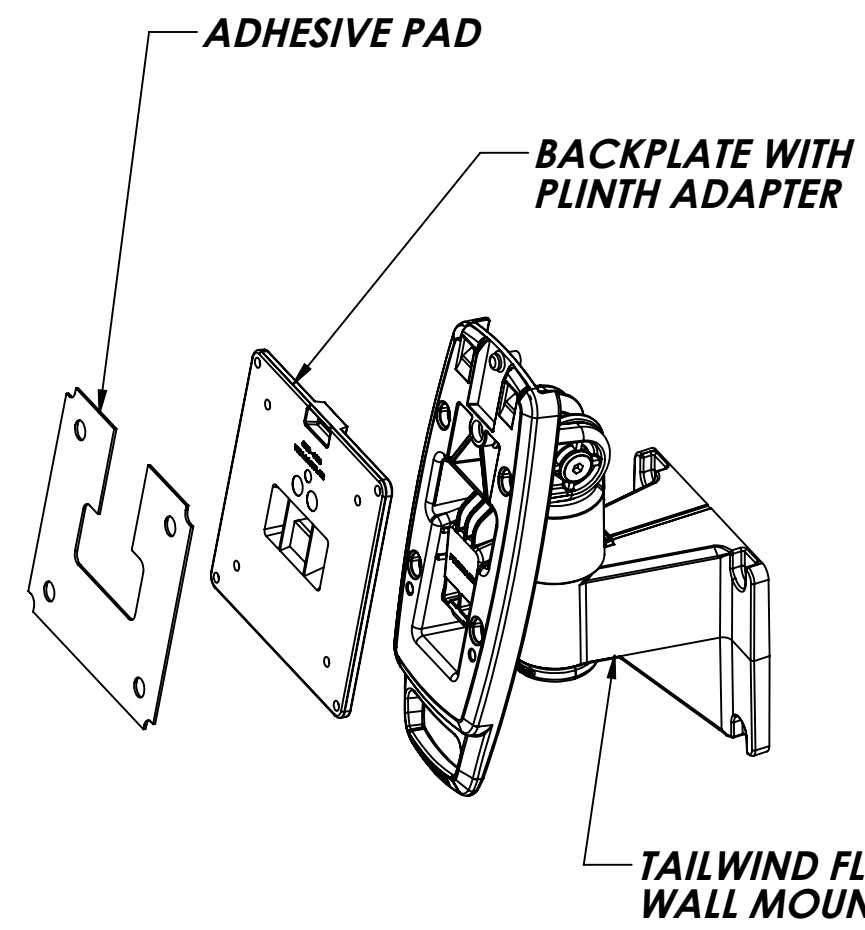
**TOP VIEW**



**FRONT VIEW**



**SIDE VIEW**




**ADHESIVE PAD**

**BACKPLATE WITH PLINTH ADAPTER**

**TAILWIND FLEXPOL COMPACT WALL MOUNT**

**CUSTOMER VERIFICATION**

REV.	DESCRIPTION	DATE	BY	CHK'D
A	INITIAL RELEASE	06/02/21	JVT	
DRAWN J. TERVEER		 14451 Ewing Ave - Burnsville, MN 55306 952-767-1005		
DATE 6/2/2021				
CUSTOMER APPROVAL (SIGNATURE REQUIRED):		TITLE FLEXPOL TAB WALL MOUNT QUICK RELEASE		
ALL DIMENSIONS ARE IN INCHES		SIZE B	DWG. NO. TABC0121	REV. A
DATE				SHEET 1 OF 1

THE INFORMATION CONTAINED IN THIS DRAWING IS THE SOLE PROPERTY OF HAVIS AND REPRODUCTION IN PART OR IN WHOLE WITHOUT THE WRITTEN PERMISSION OF HAVIS IS PROHIBITED.

8 7 6 5 4 3 2 1