

# INSTALLATION INSTRUCTIONS

## C-DMM-3022 Flip up Dash Monitor Mount

### 2021-2024 Ford E-Series Cutaway

**TOOLS REQUIRED:**

- Ratchet Wrench
- Socket Set
- 7/16" Open End Wrench
- Phillips Screwdriver (short)
- Dash panel removal tool

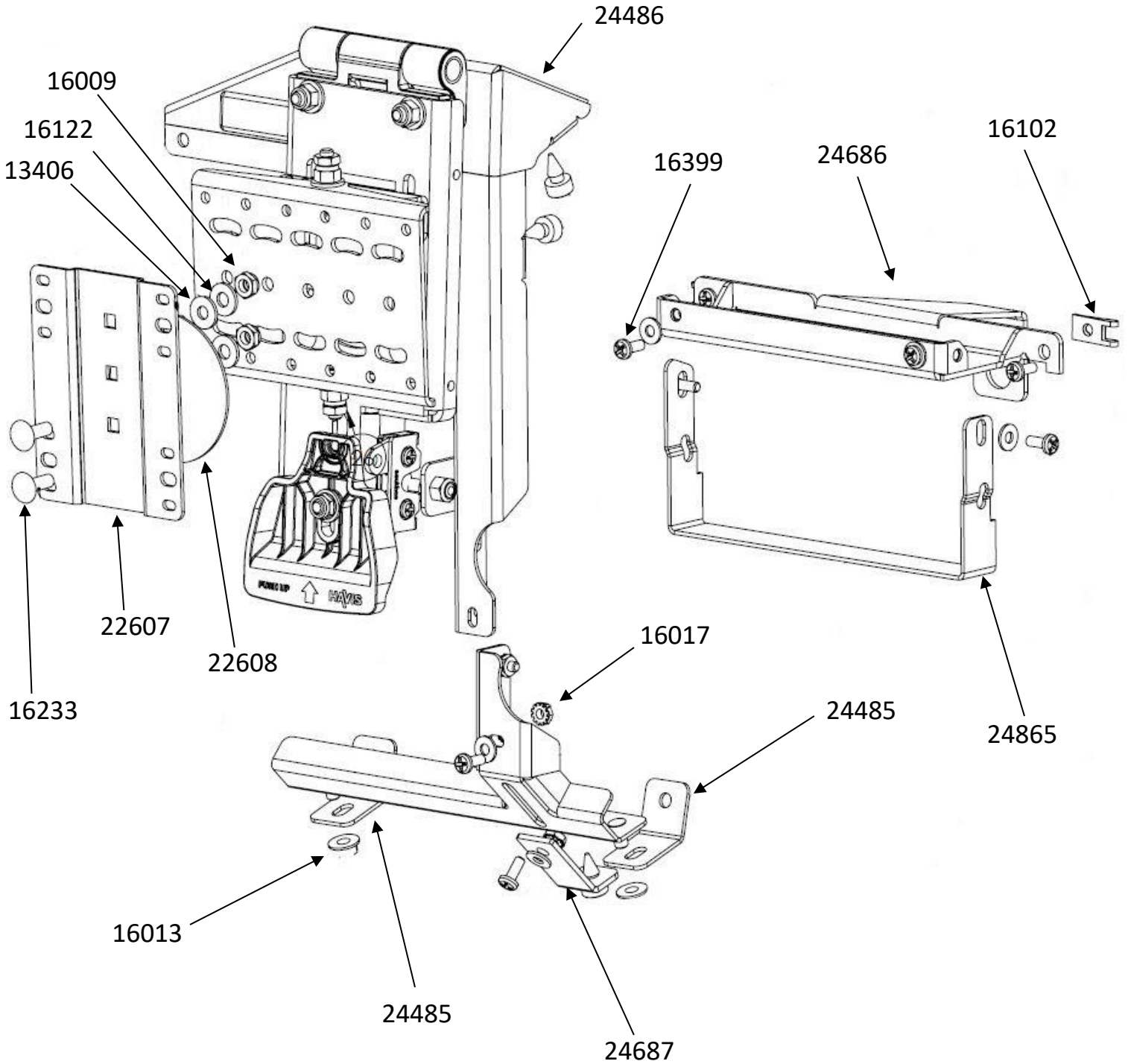
**PARTS and MOUNTING HARDWARE:**

<u>QTY</u>	<u>DESCRIPTION</u>	<u>PART#</u>
2	Lower dash mounting tabs	24485
1	Lower radio U bracket	24865
1	Upper radio support	24686
1	Lower mounting bracket foot	24687
1	Lower mounting frame assembly	24501
2	1/4" Nylon washer	13406
1	Rubber bumper	13691
2	¼" Nylock nut	16009
2	¼" Serrated flange nut	16013
4	#10 Keps nut	16017
2	#10 Speed nut	16102
8	#10 Flat washer	16120
2	¼" Flat washer	16122
2	¼" x ¾" carriage bolt	16223
8	10-32 x ½" Machine screws	16399
2	#10 Tek screw	16491

**Always!**

- Read all instructions before installing any Havis, Inc. products.
- **Check for obstructions (Wires, brake lines, fuel tank, etc.) before drilling any holes!**
  - Use hardware provided with install kit

**C-DMM-3022**

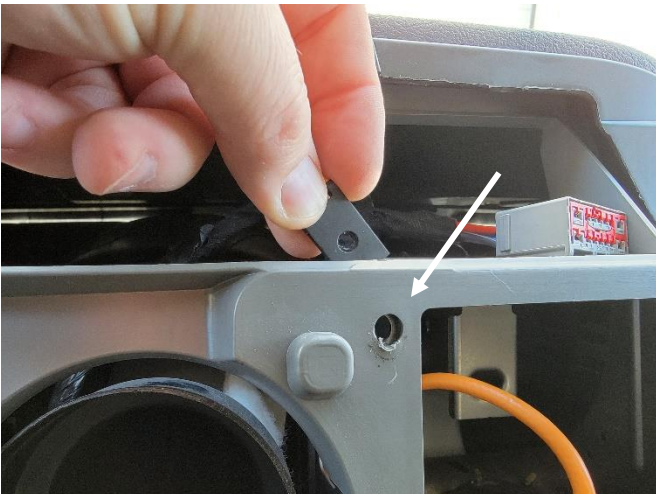




Using OEM radio removal tools, remove OEM radio from dash.



Pull dash trim away from dash to expose (2) 7mm head fasteners. Attach lower mounting tabs using OEM hardware.



Slide #10 speed clip into upper openings at either side of dash cutout.



Slide clips into place ensuring they line up to opening.



Slide upper radio support into dash, lining up with previously installed speed clips.



Attach using #10 Tek screws.



Repeat process for other side.



Snap dash panel back into place.



Place lower radio U bracket onto OEM radio.



Slide up until snug on radio chassis.



Plug radio harnesses back in and place radio in dash.



Attach radio U bracket to upper radio support bracket using 10-32 machine screws and washers.



Tighten both sides.



Slide lower radio, mounting bracket foot into lower frame assembly.



Loosely attach using 10-32 x 1/2" machine screw and keps nut. Place lower frame on lower mounting tabs and attach using 1/4" serrated nuts.



Place upper frame assembly onto lower frame.



Line up holes allowing clearance for 12-volt socket.



Attach upper and lower frame using 10-32 x 1/2" machine screws and keps nuts.



Attach upper frame assembly to upper radio support bracket using 10-32 x 1/2" machine screws.



Tighten all hardware.



Tighten all hardware



Position VESA plate on back of Device as desired. Attach VESA plate with carriage bolts to the back of the dock. The gray PVC washer will go between this bracket and the DMM swivel plate.



Determine desired position for your specific computer and attach to DMM swivel plate using 1/4" x 3/4" carriage bolts, PVC spacer, nylon washers, steel washers, and nylock nuts. Tighten so that the dock rotates smoothly.



Dock the computer and test.  
Installation is now complete.