

# INSTALLATION INSTRUCTIONS

## C-DMM-3024 Flip up Dash Monitor Mount

### 2021-2024 Dodge Durango

**TOOLS REQUIRED:**

Ratchet Wrench	Dash panel removal tool	Open End Wrench - 7/16"
Socket Set	Phillips screwdriver	

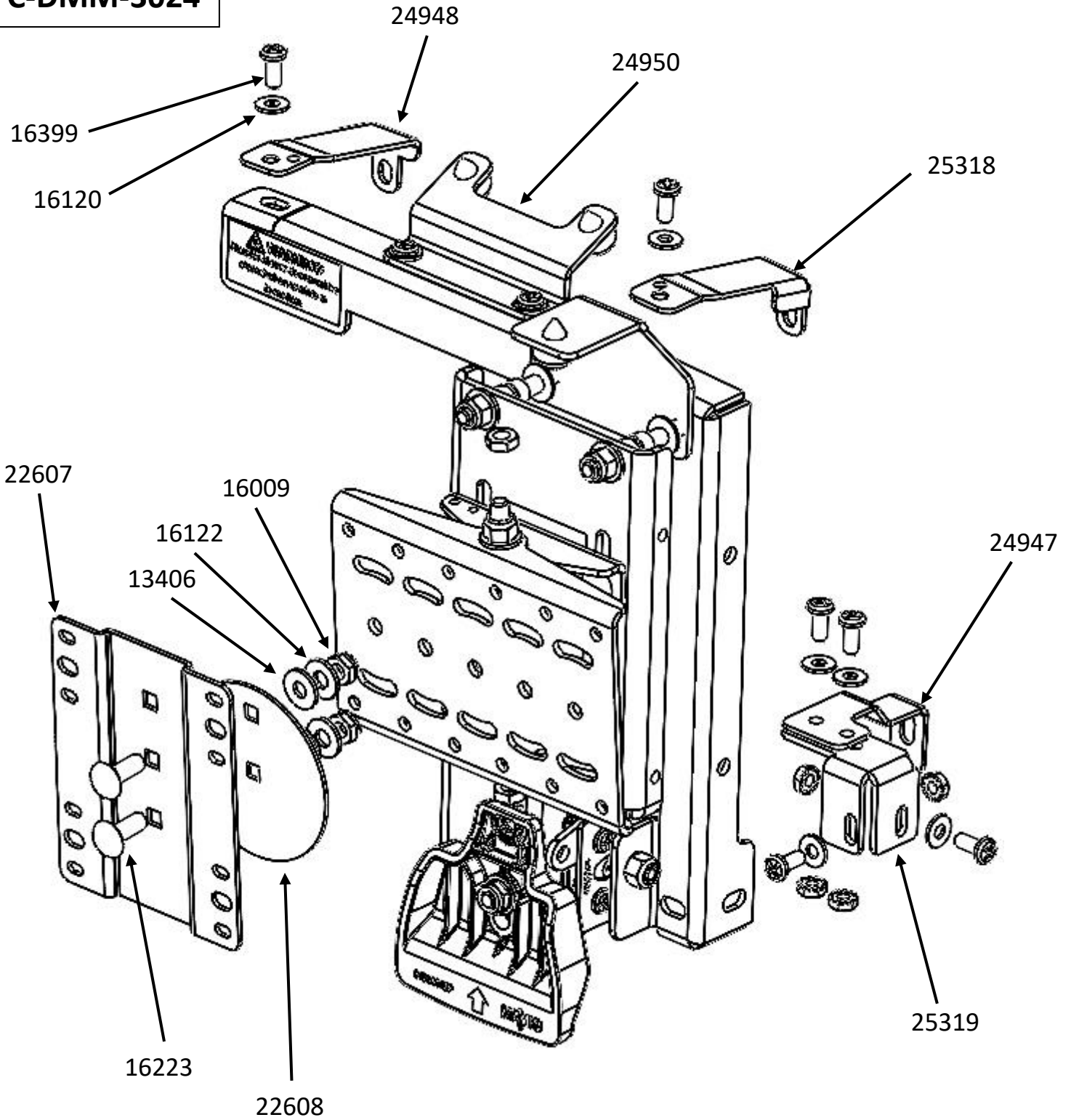
**PARTS and MOUNTING HARDWARE:**

<u>QTY</u>	<u>DESCRIPTION</u>	<u>PART#</u>
1	VESA rotator plate	22607
1	PVC spacer	22608
1	DS upper mounting tab	24948
1	PS upper mounting tab	25318
1	Lower mounting tab	24947
1	Lower frame mount	25319
1	Upper bumper bracket	24950
2	Nylon washer	13406
2	1/4" x 3/4" Carriage bolt	16223
2	1/4" Flat washer	16122
2	1/4" Nylock nut	16009
4	10-32 Keps nut	16017
6	#10 Flat washer	16120
6	10-32 x 1/2" Screw	16399

**Always!**

- Read all instructions before installing any Havis, Inc. products.
- **Check for obstructions (Wires, brake lines, fuel tank, etc.) before drilling any holes!**
  - Use hardware provided with install kit

**C-DMM-3024**





View of Durango dash prior to install



Gently pry out trim above headlamp control.



Remove trim and set aside.



Gently pry out trim above glovebox.



Continue removing trim along dash and set aside.  
Push to start does not need to be unplugged.



Remove 7mm head fastener from center trim.



Remove 7mm head fastener from lower trim.



Install lower mounting tab using previously removed OEM fastener.



Remove trim around lower instrument cluster.



Remove (2) T-20 Torx head fasteners from instrument cluster.



Remove T-20 Torx head fastener from upper, center of the instrument cluster.



Remove instrument cluster. Cluster does not need to be unplugged. It can be set aside next to steering wheel.



Unsnap trim from dash.



Remove 7mm head fastener from upper corner of radio and install DS upper mounting tab using OEM fastener.



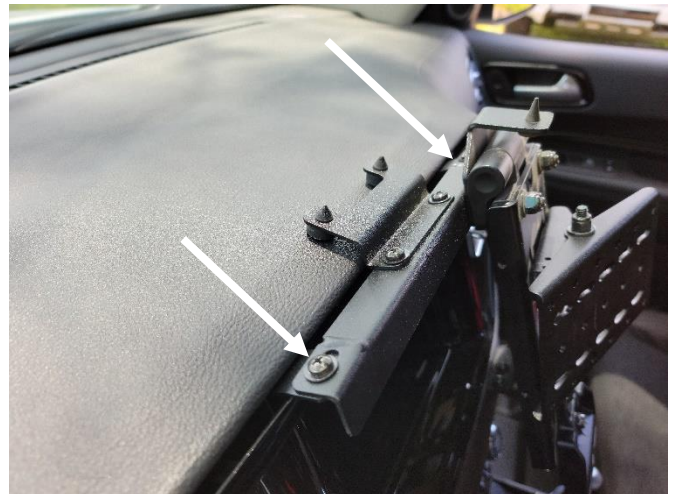
Remove 7mm head fastener from upper corner of radio and install PS upper mounting tab using OEM fastener.



Reinstall previously removed dash trim and instrument cluster.



Ensure lower mounting tab is level when sticking out of dash.



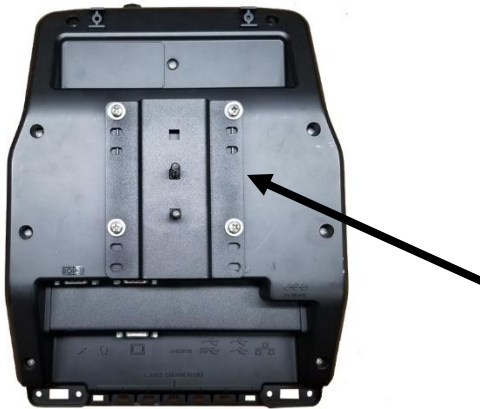
Place DMM frame onto upper mounting tabs and attach using supplied #10 screws, washers, and keps nuts.



Attach lower frame using supplied #10 screws, washers, and keps nuts



Ensure upper bumper bracket is snug against dash.



Position VESA plate on back of Device as desired. Attach VESA plate with carriage bolts to the back of the dock. The gray PVC washer will go between this bracket and the DMM swivel plate.



Determine desired position for your specific computer and attach to DMM swivel plate using 1/4"x 3/4" carriage bolts, PVC spacer, nylon washers, steel washers, and nylock nuts. Tighten so that the dock rotates smoothly.



Route wiring as needed along the side of the DMM flip up frame using wire tie holes as shown. Test up / down and side to side motion to confirm wires have adequate slack and strain relief.



Installation is now complete.