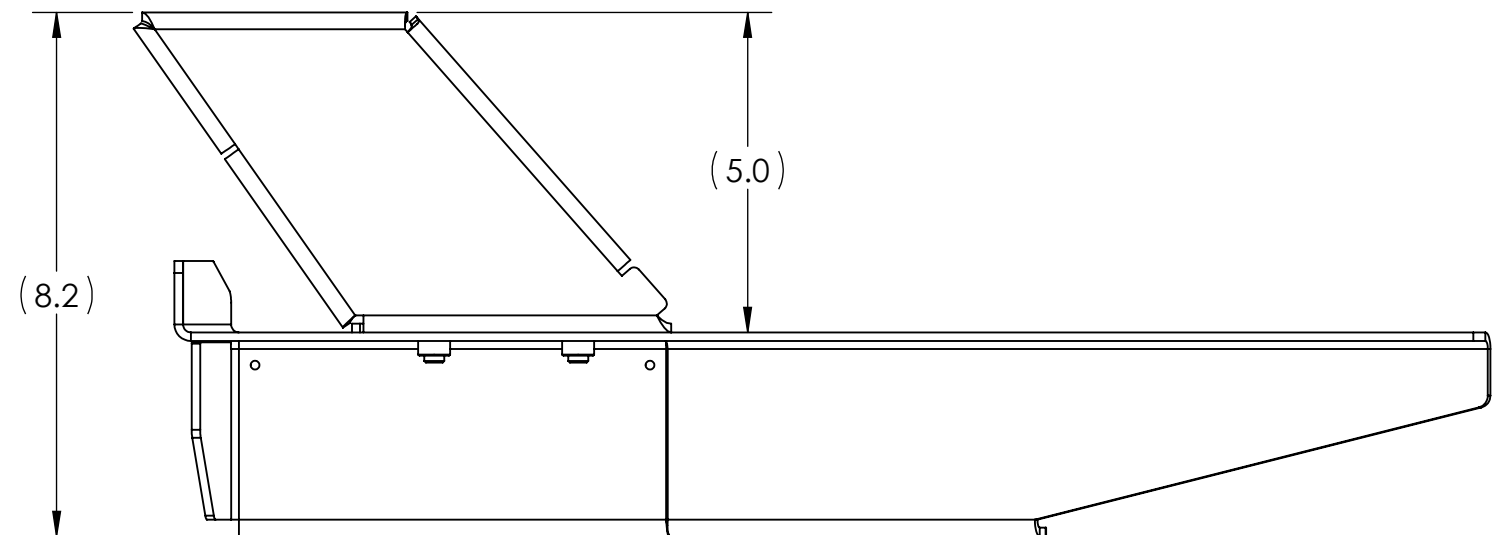
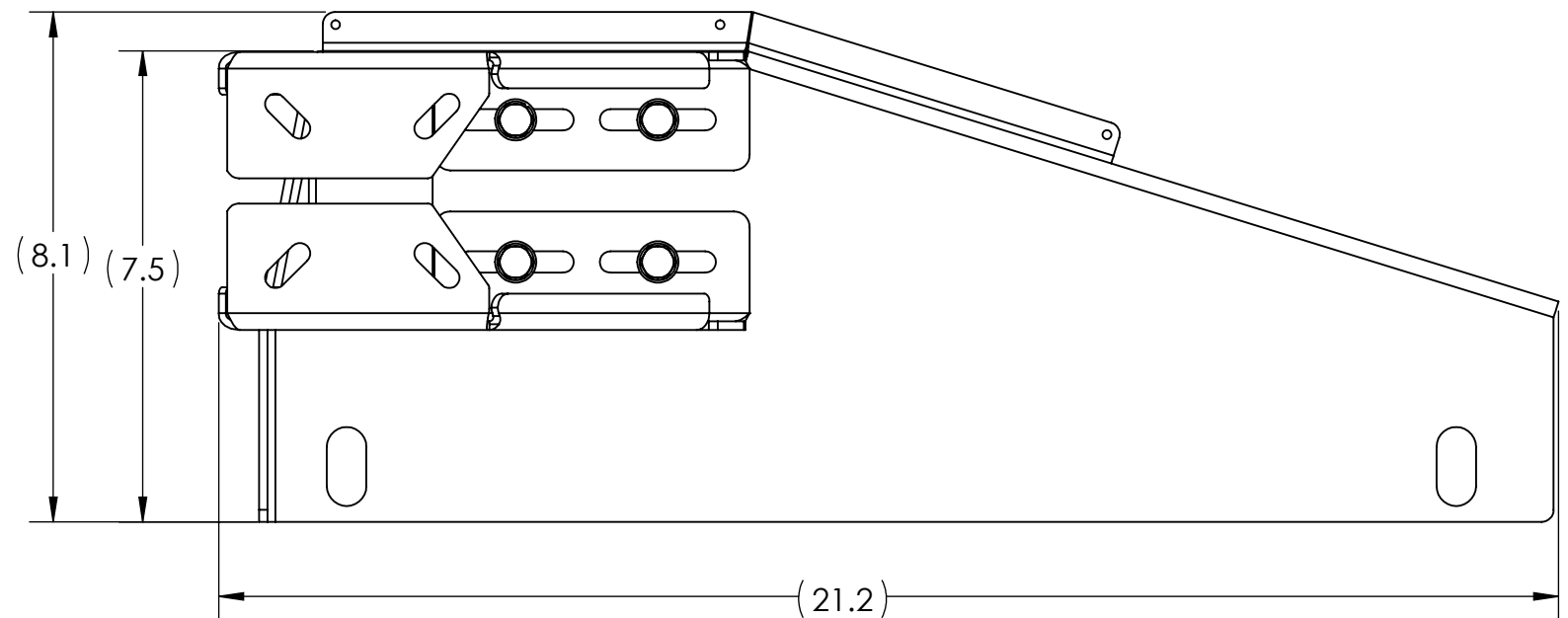
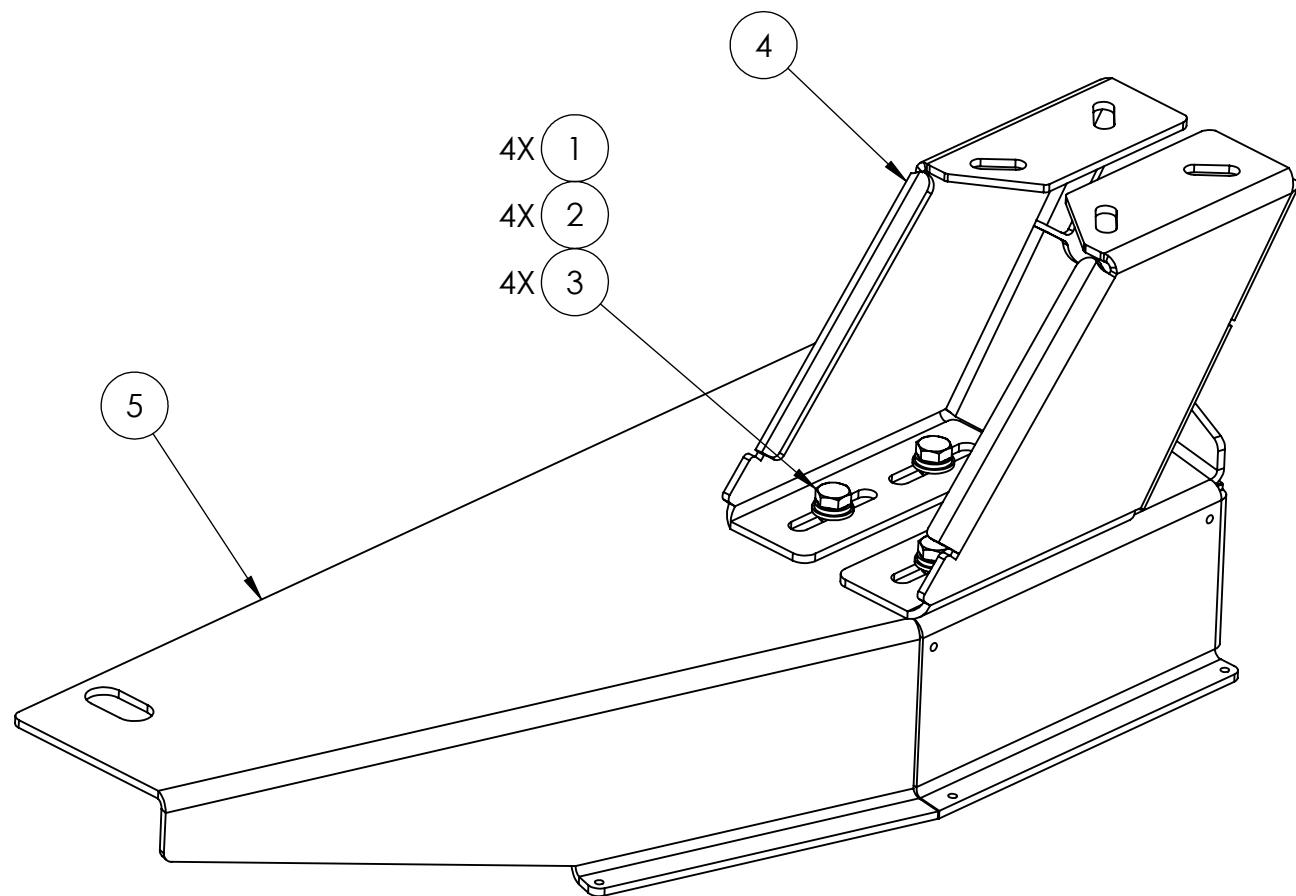



INSTALLATION INSRUCTIONS

1. REMOVE THE TWO FRONT SEAT RAIL BOLTS FROM THE PASSENGER SIDE SEAT (50MM TORX)
2. POSITION THE BASEPLATE UNDER THE SEAT RAILS, ALIGNING THE BASEPLATE HOLES WITH EXISTING OEM THREADED HOLES.
3. INSERT AND RETIGHTEN OEM SEAT RAIL BOLTS TO MANUFACTURER'S TORQUE SPEC.
4. ATTACH LOWER OFFSET TO BASEPLATE WITH 5/16" BOLTS, LOCK WASHERS, AND FLAT WASHERS.
5. FOLLOW GENERAL INSTRUCTIONS FOR POLE AND UPPER MOUNT PARTS.



LINE	QTY.	HK	ITEM NUMBER	DESCRIPTION
1	4	4	16123	WASHER, 5/16" FLAT, SAE ZP BLK
2	4	4	16143	WASHER, 5/16" LOCK, ZP BLK
3	4	4	16335	SCREW, 5/16-18 X 3/4"
4	1	1	27220	BRACKET, MOUNT, 55° 5.0" OFFSET BASE W/SLOTS
5	1	1	38582	BASE, HEAVY DUTY MOUNT, CHEVROLET BLAZER EV

WARNING: ALL HAVIS INC. PRODUCTS ARE DESIGNED WITH SAFETY OF USE AND INSTALLATION IN MIND. HOWEVER, IT IS THE SOLE RESPONSIBILITY OF THE OWNER/OPERATOR OF A VEHICLE USING HAVIS INC. MOUNTING AND DOCKING EQUIPMENT, TO INSURE THAT THE EQUIPMENT IS INSTALLED SO THAT IT WILL NOT INTERFERE WITH VEHICLE OPERATION, INTERFERE WITH SAFETY DEVICES, OBSTRUCT VIEW OF DRIVING CONDITIONS, OR IN ANY WAY DEGRADE OCCUPANT SAFETY. IMPROPER INSTALLATION CAN CAUSE SERIOUS INJURY IN THE EVENT OF AN ACCIDENT. INSTALLATION SHOULD ONLY BE PERFORMED BY QUALIFIED PROFESSIONALS. COMPUTERS AND MOTION DEVICES MUST BE MOVED TO AND STOWED/SECURED IN THEIR SAFE DRIVING POSITIONS BEFORE OPERATING VEHICLE.

DRAWING NO. C-HDM-1026-INST	
PRODUCT DESCRIPTION BLAZER EV HDM BASE	
 1-800-524-9900 WWW.HAVIS.COM	WEIGHT: (LBS) 11.17
	REV. DATE 3-13