

# INSTALLATION INSTRUCTIONS C-VS-1012-INUT

## 22" Console for 2020-2024 Ford Interceptor Utility

**TOOLS REQUIRED:**

Phillips Screw Driver	Standard Socket Set	T-20 Torx Bit
Metric Socket Set	Wire Cutters	Wire Crimping Tool

**PARTS and MOUNTING HARDWARE:**

<u>QTY</u>	<u>DESCRIPTION</u>	<u>PART#</u>
1	Rear floor mounting bracket	CM009301-1
1	Driver side front mounting bracket	CM009778-DS
1	Passenger side front mounting bracket	CM009778-PS
1	Lower front cross support	CM009779
1	Upper front cross support	CM009939
1	Parking Brake bracket	CM010469
1	Hardware kit	HK-361
<b><i>HK-361 includes the following:</i></b>		
17	1/4" Serrated flange nuts	GSM30023
4	1/4" x 1/2" Carriage bolts	GSM31999
13	1/4" x 3/4" Carriage bolts	GSM32000
3	10-32 x 3/4" Machine screws	GSM33119
3	10-32 x 3/8" Machine screws	GSM33117 (only used for park brake in old version console)
3	10-32 Keps nuts	GSM30028
2	#10 Flat washer	GSM31003
4	#8 x 3/8" Phillips flat head screws	GSM33178

**CM009785-1 HVAC relocation plate (optional / must be ordered separately)**

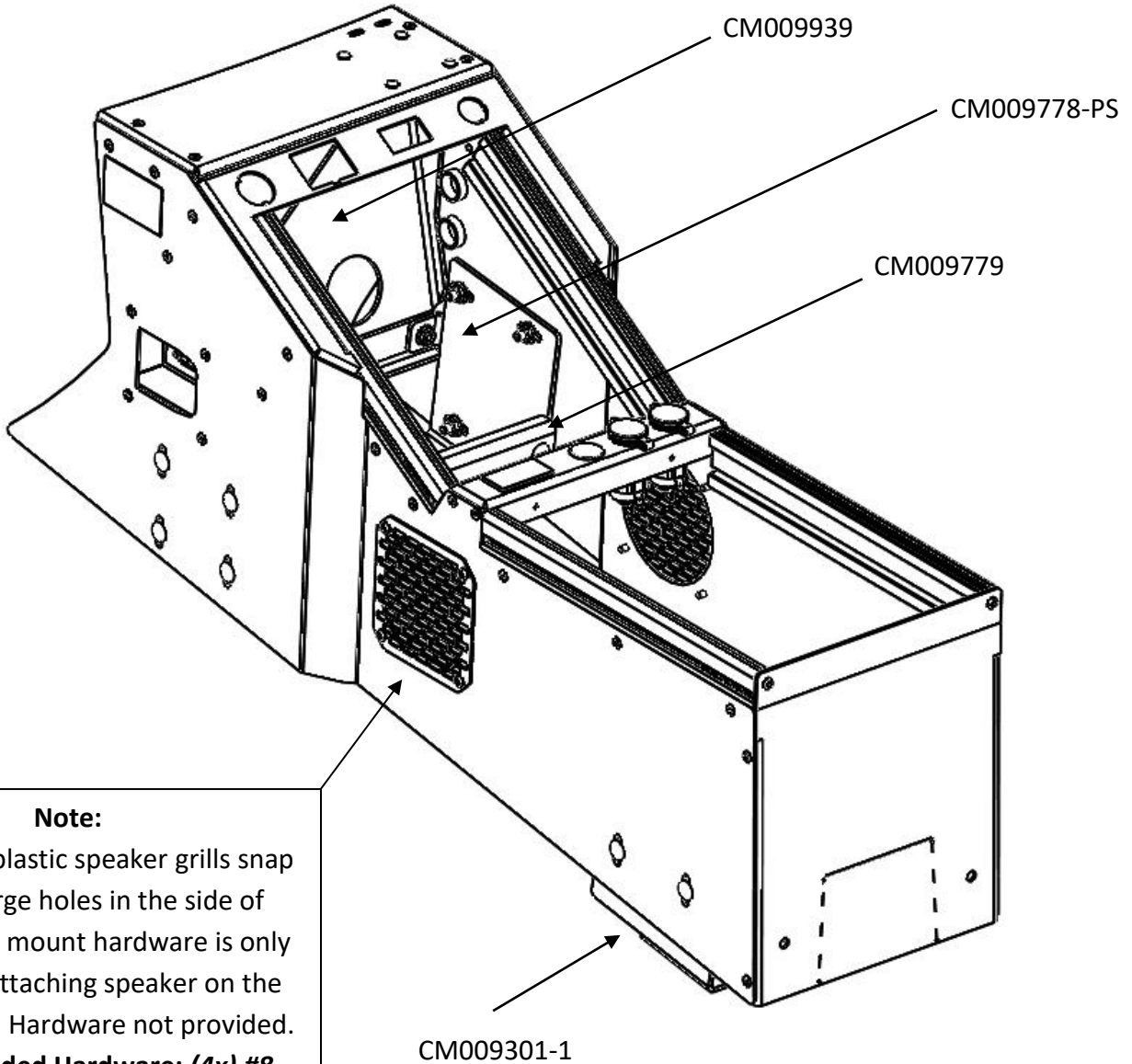
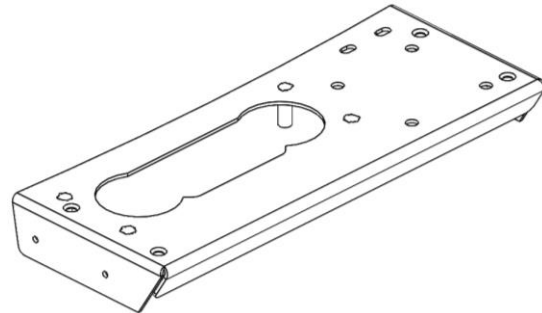
<u>QTY</u>	<u>DESCRIPTION</u>	<u>PART#</u>
1	HVAC relocation bracket	CM009785-1
4	10-32 x 3/8" Machine screws	GSM33117
8	#8-18 Flat head screws	GSM33178

**Always!**

- Read all instructions before installing any Havis, Inc. products.
- **Check for obstructions (Wires, brake lines, fuel tank, etc.) before drilling any holes!**
- Use hardware provided with install kit

**C-VS-1012-INUT Assembly**

**CM009785-1 (optional)  
HVAC relocation bracket**



**Note:**

Newer style plastic speaker grills snap into the large holes in the side of console. Grill mount hardware is only required if attaching speaker on the inside of grill. Hardware not provided.

**Recommended Hardware: (4x) #8 Keps nuts, (4x) 8-32 x 3/4" screws**



View of Intercepter Utility before install



Remove OEM tunnel plate by removing rear nuts. Front nuts only have to be loosened. The OEM track is slotted at the front. (10mm socket)



Remove fasteners on sides of lower center trim and detach from dash by pulling it towards the rear of the vehicle. (7mm)



Remove electronic parking brake, 12 v socket and USB retaining bracket. (T-20 fasteners) If vehicle is equipped with rear HVAC, the controller will be removed at this time.

Re-install trim with OEM fasteners back into dash.



Install previously removed parking brake switch into supplied relocation bracket. The angled section with two holes goes **under the lip** of the bracket.

Attach with (3) 10-32 x 3/4" screws and Keps nuts.



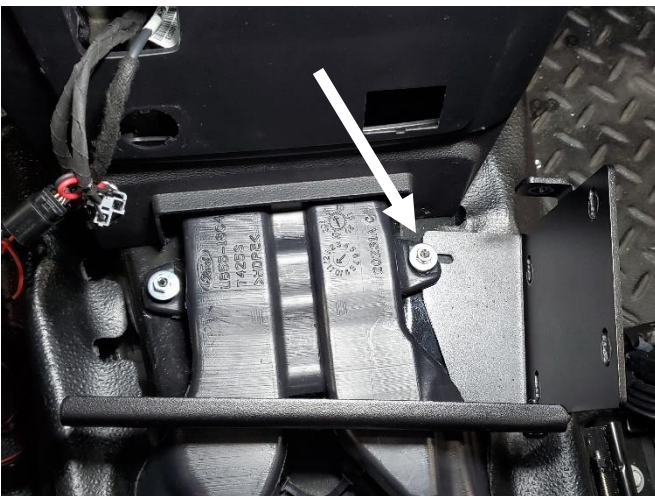
Attach parking brake bracket with switch to console using (4) #8 x 1/4" flat head screws.



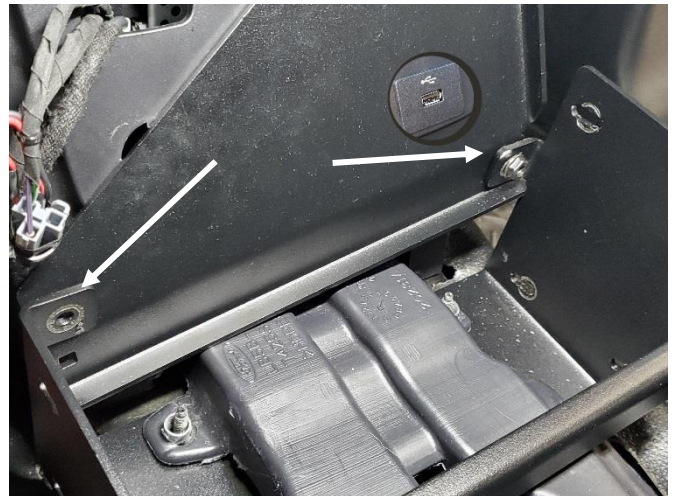
Optional HVAC top console plate CM009785-1 will be required if OEM rear HVAC is used. Attach controller to plate using (4) 10-32 x 1/2" machine screws.



Remove standard top plate from console housing by removing (4) screws from the sides. Install HVAC CM009785-1 plate using previously removed console screws.



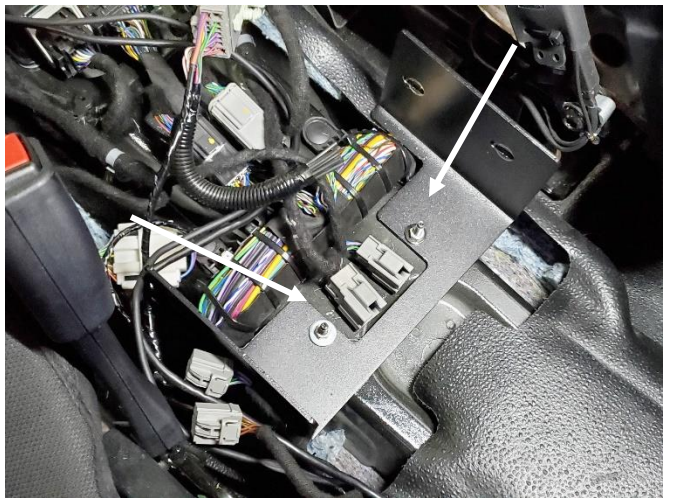
Loosen OEM nuts from front ductwork. Slide front mounting brackets under ductwork from the sides onto OEM studs. **Note: Make sure brackets are plastic vent and sitting on top of metal floor.**



Attach upper and lower cross supports to brackets using (4) 1/4" x 1/2" carriage bolts and serrated nuts.



Tighten OEM nuts.  
(10mm socket)



Attach rear mounting bracket to floor using previously removed OEM hardware. (10mm socket)



Slide console housing over floor mounting brackets and push tight to dash.



Attach housing to brackets with 1/4" x 3/4" carriage bolts and serrated nuts.



Relocate OEM 12 volt socket and USB into console.  
Wire and install equipment as needed.  
Installation is now complete.



If a top motion device is used. Attach to top console plate prior to control head faceplates.



Views showing optional C-MD-312, KB-101 and KBM-201 with Tablet docking station.

