

Owner's Manual

Havis Rugged Mobile Docking Station

For Panasonic TOUGHBOOK 40

DS-PAN-1500 Series

DS-PAN-1501

DS-PAN-1502

DS-PAN-1503

DS-PAN-1504

DS-PAN-1505

DS-PAN-1501-4

DS-PAN-1502-4

DS-PAN-1504-4

DS-PAN-1505-4



DS-PAN-1500-SERIES_OMN_5-22

www.havis.com

HAVIS

Havis, Inc.
75 Jacksonville Road
Warminster, PA 18974

1-800-524-9900

Before Beginning

Havis is pleased to provide this Owner's Manual to aid in the proper installation and use of the DS-PAN-1500 Series Docking Station for the Panasonic TOUGHBOOK 40 laptop computers.

For questions regarding the set-up of your DS-PAN-1500 Series Docking Station, please contact Havis at 1-800-524-9900 or visit www.havis.com for additional product support and information.

This Owner's Manual applies to the following Part Numbers:

DS-PAN-1501	DS-PAN-1502	DS-PAN-1503	DS-PAN-1504	DS-PAN-1505
DS-PAN-1501-4	DS-PAN-1502-4		DS-PAN-1504-4	DS-PAN-1505-4

⚠ WARNING

- NEVER STOW OR MOUNT THE DOCKING STATION DIRECTLY IN A VEHICLE AIRBAG DEPLOYMENT ZONE.
- DO NOT USE COMPUTER WHILE DRIVING.
- NE JAMAIS RANGER OU INSTALLER LA STATION D'ACCUEIL DIRECTEMENT DANS LA ZONE DE DÉPLOIEMENT DES COUSSINS GONFLABLES D'UN VÉHICULE.
- NE PAS UTILISER L'ORDINATEUR EN CONDUISANT.

⚠ CAUTION

- READ ALL INSTRUCTIONS THOROUGHLY BEFORE BEGINNING INSTALLATION.
- DO NOT STORE, INSTALL, OR OPERATE THE DOCKING STATION WHERE WATER, MOISTURE, STEAM, DUST, ETC. ARE PRESENT
- DO NOT DOCK OR UNDOCK YOUR COMPUTER UNLESS IT IS POWERED OFF. DOCKING OR UNDOCKING WITH YOUR COMPUTER IN ON, STANDBY, HIBERNATION, OR SLEEP MODES CAN CAUSE PERMANENT DAMAGE.
- FOR THE DS-PAN-1501, DS-PAN-1501-4, DS-PAN-1502, DS-PAN-1502-4, DS-PAN-1504, DS-PAN-1504-4, DS-PAN-1505 and DS-PAN-1505-4 DOCKING STATIONS: DO NOT CONNECT DIRECTLY TO VEHICLE VOLTAGE SOURCE: This product requires a certified, automotive grade, Panasonic approved 120W power source rated for a continuous, regulated 15.6 VDC output (*Havis Part Number LPS-103 or equivalent*). Failure to comply with this requirement will cause product damage that is NOT repairable and is NOT covered under warranty.
- FOR THE DS-PAN-1503 DOCKING STATION: DO NOT CONNECT DIRECTLY TO VEHICLE VOLTAGE SOURCE: The Panasonic TOUGHBOOK 40 requires a certified, Panasonic approved power source rated for a continuous, regulated 15.6 VDC output. Failure to comply with this requirement will cause product damage that is NOT repairable and is NOT covered under warranty.
- Do not use a dock if docking connector pins are bent or show signs of damage.
- LIRE ATTENTIVEMENT TOUTES LES INSTRUCTIONS AVANT DE COMMENCER L'INSTALLATION.
- NE PAS ENTRPOSER, INSTALLER OU UTILISER LA STATION D'ACCUEIL DANS UN ENDROIT OÙ DE L'EAU, DE L'HUMIDITÉ, DE LA VAPEUR, DE LA POUSSIÈRE, ETC. SONT PRÉSENTES
- NE CONNECTEZ OU DÉCONNECTEZ PAS VOTRE ORDINATEUR S'IL N'EST PAS ÉTEINT. LA MISE EN MARCHÉ OU L'ARRÊT DE VOTRE ORDINATEUR EN MODE MARCHÉ, VEILLE, HIBERNATION OU SOMMEIL PEUT CAUSER DES DOMMAGES PERMANENTS.
- POUR LES STATIONS D'ACCUEIL THE DS-PAN-1501, DS-PAN-1501-4, DS-PAN-1502, DS-PAN-1502-4, DS-PAN-1504, DS-PAN-1504-4, DS-PAN-1505 and DS-PAN-1505-4 DOCKING STATIONS : NE PAS BRANCHER DIRECTEMENT À LA SOURCE DE TENSION DU VÉHICULE : Ce produit nécessite une source d'alimentation de 120 W certifiée de qualité automobile approuvée par Panasonic et conçue pour une sortie continue et régulée de 15.6 VDC (numéro de pièce Havis LPS-103 ou équivalent). Le non-respect de cette exigence entraînera des dommages au produit qui ne sont PAS réparables et qui ne sont PAS couverts par la garantie.
- POUR LA STATION D'ACCUEIL DS-PAN-1505: NE PAS BRANCHER DIRECTEMENT À LA SOURCE DE TENSION DU VÉHICULE : Les TOUGHBOOK 40 de Panasonic nécessite une source d'alimentation certifiée et approuvée par Panasonic, conçue pour une sortie continue et régulée de 15.6 VDC. Le non-respect de cette exigence entraînera des dommages au produit qui ne sont PAS réparables et ne sont pas couverts par la garantie.
- N'utilisez pas une station d'accueil si les broches du connecteur de la station d'accueil sont tordues ou présentent des signes de dommages.

NOTICE

- FOR DOCKING STATION MODELS EQUIPPED WITH A BUNDLED POWER SUPPLY (DS-PAN-1502, DS-PAN-1502-4, DS-PAN-1505, DS-PAN-1505-4 & DS-PAN-1506) REFER TO THE SUPPLIED LIND POWER SUPPLY REFERENCE GUIDE.

Before Beginning

Precautions/Précautions

- Do not place metal objects or containers of liquid on top of the Docking Station
- If a malfunction occurs, immediately unplug the Power Supply and remove the laptop
- Use only the specified Power Supply (Part # LPS-103) with this Docking Station
- Do not connect cables into ports other than what they are specified for
- Do not leave the Docking Station in a high temperature environment (greater than 85°C, 185°F) for a long period of time
- Ne placez pas d'objets métalliques ou de contenants avec des liquides sur la station d'accueil
- En cas de dysfonctionnement, débranchez immédiatement l'alimentation électrique et retirez l'ordinateur portable
- Utilisez uniquement l'alimentation électrique spécifiée (partie # LPS-103) avec cette station d'accueil
- Ne pas connecter les câbles dans des ports autres que ceux spécifiés
- Ne laissez pas la station d'accueil dans un environnement à température élevée (plus de 85°C, 185°F) pendant une longue période

Specifications

Power Supply Input	15.6 V DC-In
Dimensions	14.4" (36.6 cm) W x 12.3" (31.3 cm) D x 2.63" (6.7 cm) H
Weight	4.25lbs (1.93 kg) and 6.25 lbs. (2.5 kg) with Mounting Bracket
Operating Environment	-10° C to 50° C (14° F to 122° F)
Storage Environment	-20° C to 60° C (-4° F to 140° F)

EU DECLARATION OF CONFORMITY [CWN1]

Manufacturers Name: Havis, Inc.

Manufacturers Addresses: 470995 Mile, Plymouth Twp, MI 48170 USA
75 Jacksonville Road, Warminster, PA, 18974, USA

This declaration of conformity is issued under the sole responsibility of the manufacturer.

Product name: Docking Station For Panasonic TOUGHBOOK 40

Model: DS-PAN-15XY-Z, where 'X,Y,Z' may be any alphanumeric character and which describes product options. May be followed by any alphanumeric characters which describe product options.

Product Options: This declaration covers all options of the above product which bear the CE Marking.

Is in conformity with the following directives, standards, or other normative documents:

UN ECE Regulation 10 UNECE Regulation 10.05, Paragraph 3.2.9; Clauses 6.5, 6.6, 6.7, 6.9; "Uniform provisions concerning the approval of vehicles with regard to electromagnetic compatibility"

EMC Directive 2014/30/EU EN 50498:2010, "Electromagnetic compatibility (EMC) - Product family standard for aftermarket electronic equipment in vehicles"

RoHS Directive 2011/65/EU EN 50581:2012, "Technical documentation for the assessment of electrical and electronic products with respect to the restriction of hazardous substances"

The object of the declaration described above is in conformity with Directive 2011/65/EU of the European Parliament and [CWN2] of the Council of 8 June 2011 on the restriction of the use of certain hazardous substances in electrical and electronic equipment.

Supplementary Information:

The object of the declaration described above is in conformity with the relevant Union harmonization legislation. This product requires the use of a recommended E Marked automotive power supply when used within vehicles.

Signed for and on behalf of Havis, Inc:

40799 Five Mile, Plymouth Twp, MI 48170, USA

March 17, 2022

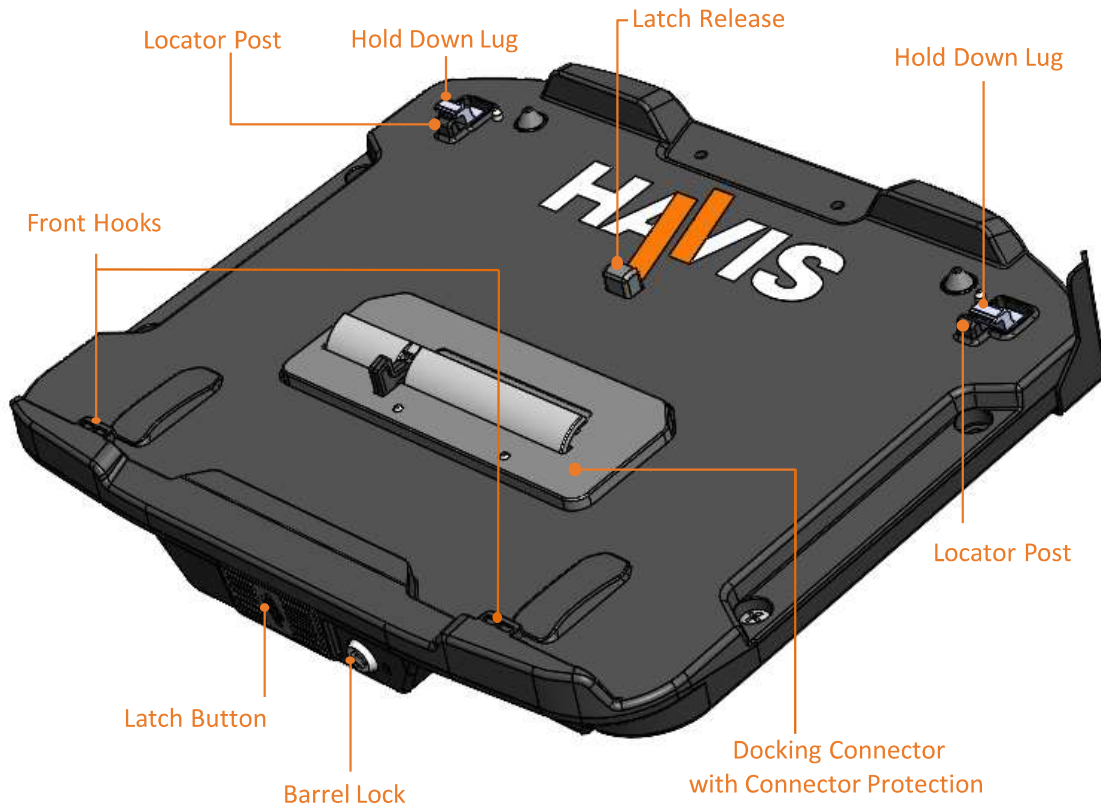
Bruce Jonik, Director of Engineering, Havis, Inc.

FCC 47CFR, Part 15 compliance:

This is an FCC Class B device. Any changes or modifications to the model DS-PAN-15XY-Z not expressly approved by Havis, Inc. could void the user's authority to operate this equipment.

Parts Included

Docking Station



Mounting Bracket (HAVIS Item Number: 25643)

Numerous hole patterns present in the Mounting Bracket will accommodate Havis Motion Devices as well as most competitors'



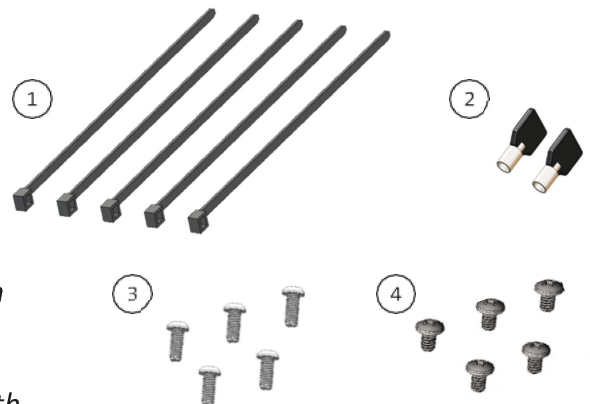
Hardware Kit (HAVIS Item Number 17672)

This Hardware Kit includes:

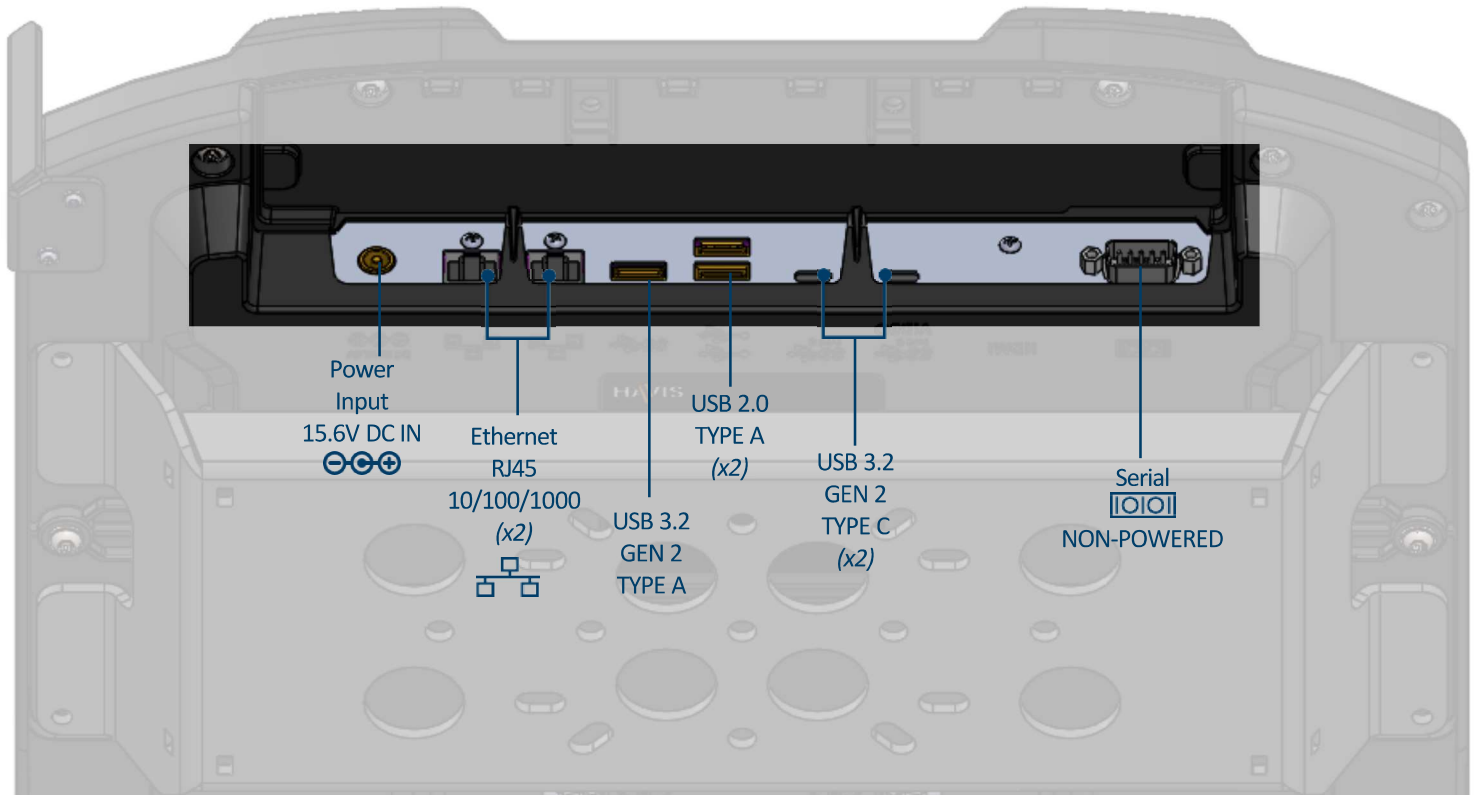
1. Zip Ties (5)
2. Keys (DS-DA-503)
3. 1/4"-20 x 5/8" long Button Head Screws (5)
4. Phillips 1/4"-20 x 3/8" long Screws (5)

Tools required for installation:

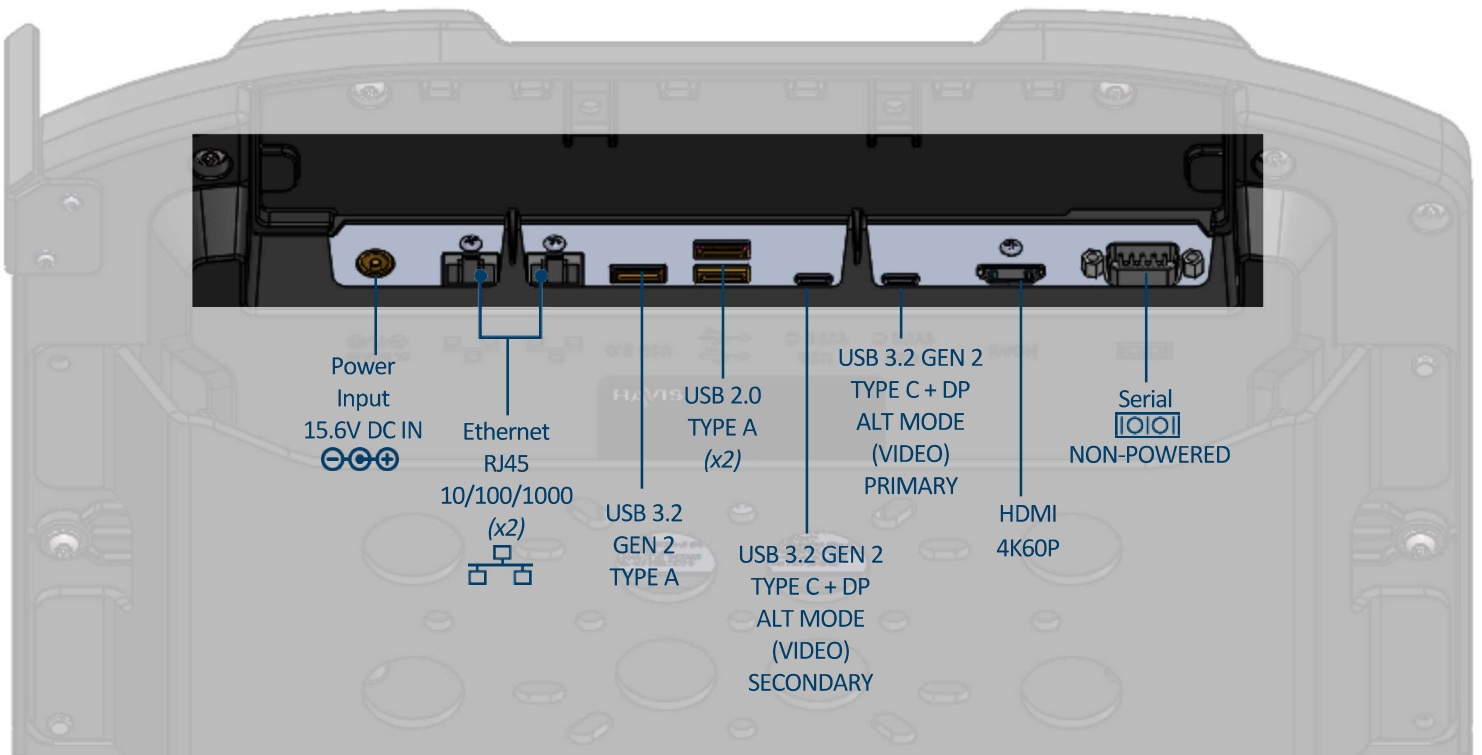
- 5/32" Hex Drive
(For attaching Mounting Bracket to Motion Device with Button Head 1/4"-20 Screws)
- #3 Phillips
(For attaching Docking Station to Mounting Bracket with Button Head 1/4"-20 Screws)



Port Replication Capability *(DS-PAN-1501, DS-PAN-1501-4, DS-PAN-1502, DS-PAN-1502-4)*

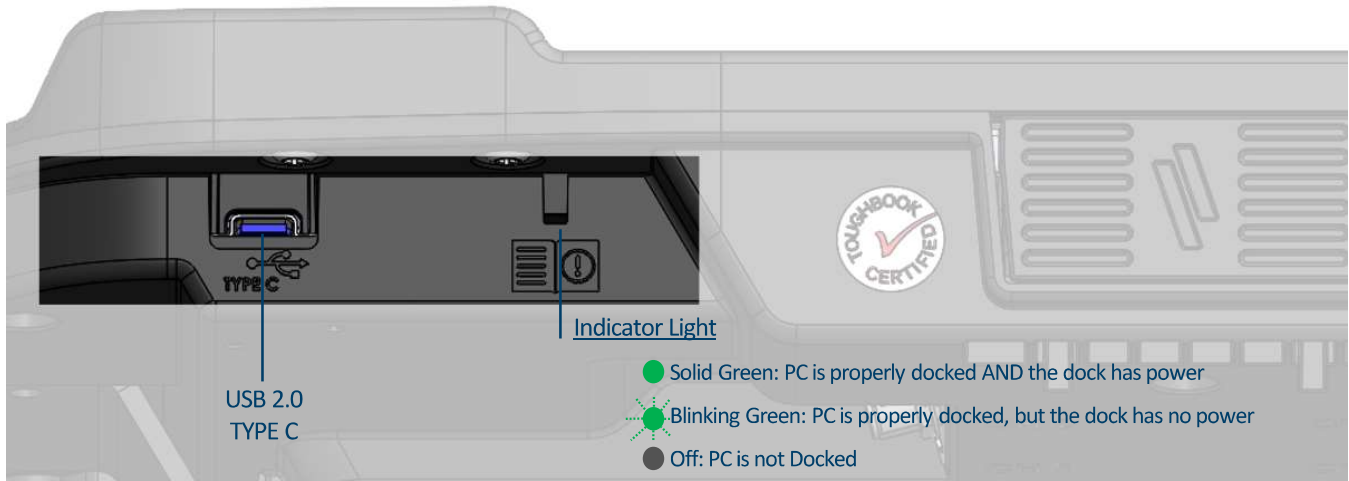


Port Replication Capability *(DS-PAN-1504, DS-PAN-1504-4, DS-PAN-1505, DS-PAN-1505-4)*



Port Replication Capability Forward Facing

(DS-PAN-1501, DS-PAN-1501-2, DS-PAN-1502, DS-PAN-1502-2, DS-PAN-1504, DS-PAN-1504-4, DS-PAN-1505 & DS-PAN-1505-4)

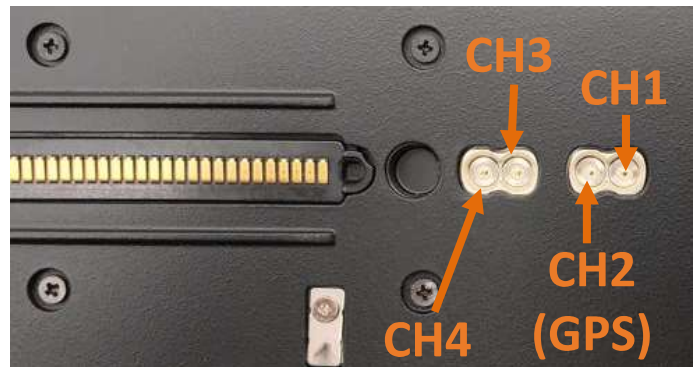


Antenna Identification (DS-PAN-1501-4, DS-PAN-1502-4, DS-PAN-1504-4 and DS-PAN-1505-4)

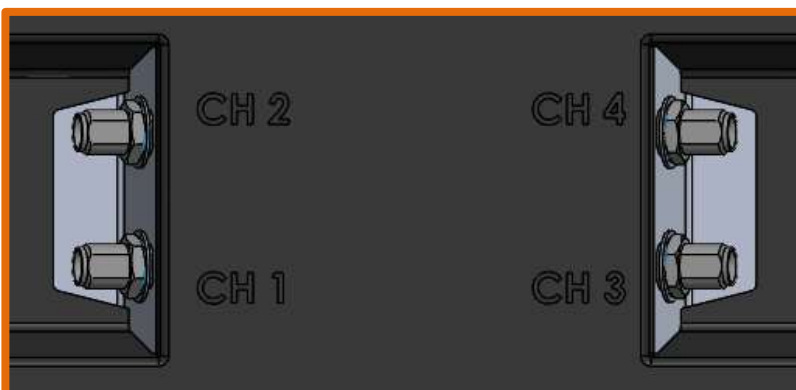
- Channel 1: User Configurable
- Channel 2: GPS/User Configurable
- Channel 3: User Configurable
- Channel 4: User Configurable

NOTE: Please reference the Panasonic Tough Book Manual for Pass Through Antenna Configuration Requirements.

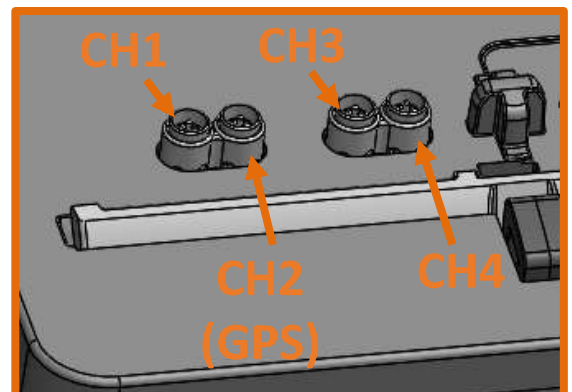
Antenna Connectors of the TOUGHBOOK 40



Antenna Connectors (SMA)



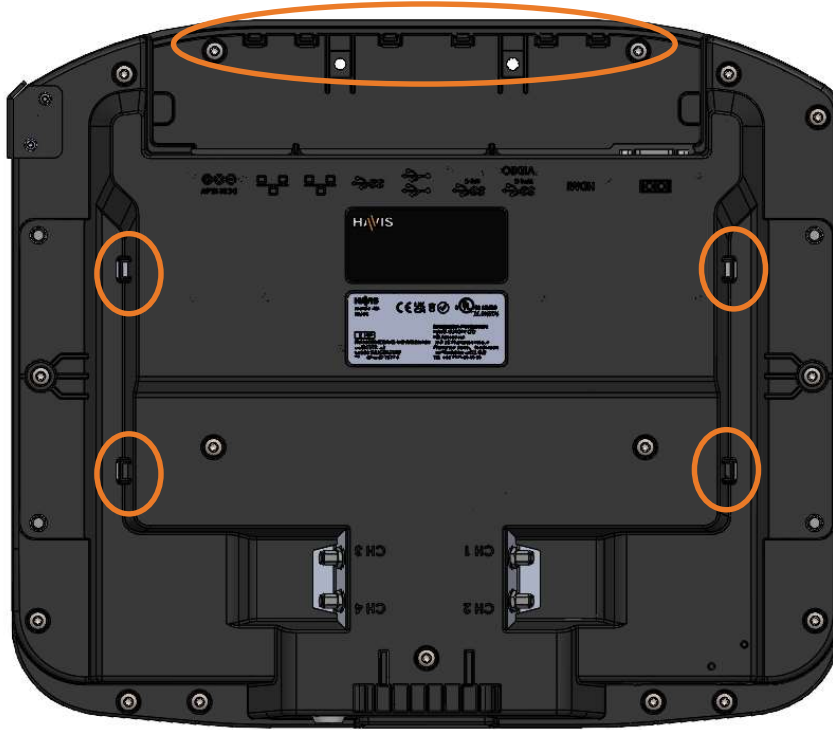
Docking Station Antenna Interface



Cable Management and Strain Relief

(DS-PAN-1501-4, DS-PAN-1502-4, DS-PAN-1504-4 and DS-PAN-1505-4)

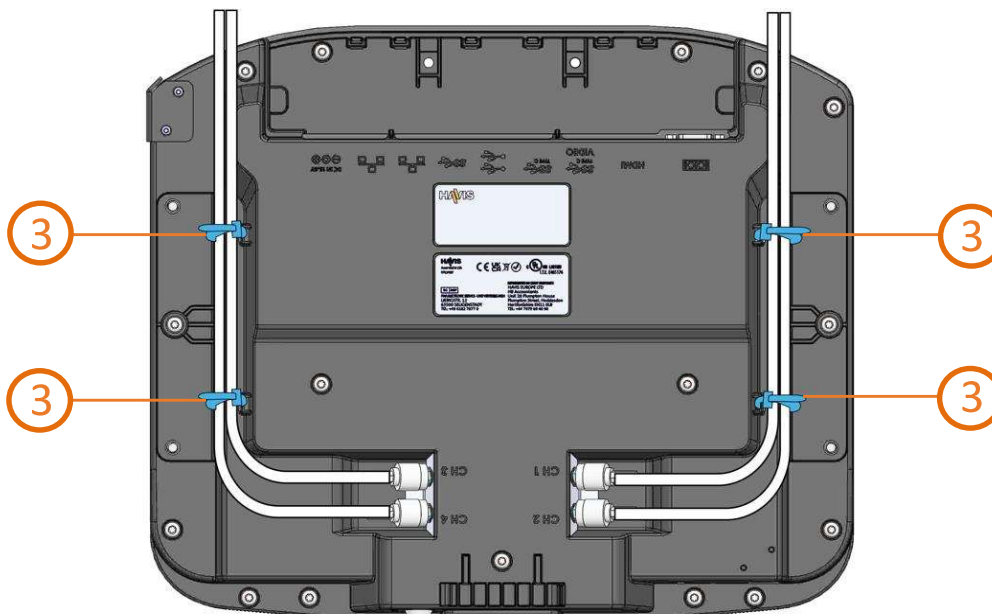
- 1) In the areas below, strain relief and cable management loops are designed to accept the zip ties. These ties will help with cable management and providing strain relief for the connectors.



Antenna Cable Routing

(DS-PAN-1501-4, DS-PAN-1502-4, DS-PAN-1504-4 and DS-PAN-1505-4)

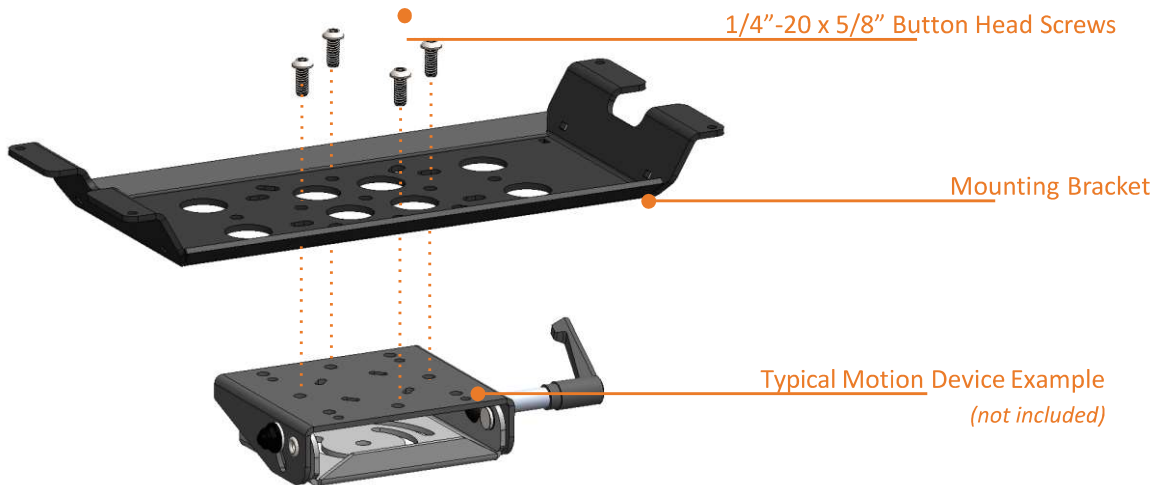
- 1) Connect each antenna cable to the correct channel as prescribed on the previous page.
- 2) Route the cables as shown below, so they exit the rear of the docking station
- 3) Use cable ties and the strain relief features on the docking station to hold the antenna cables in this position



Installation

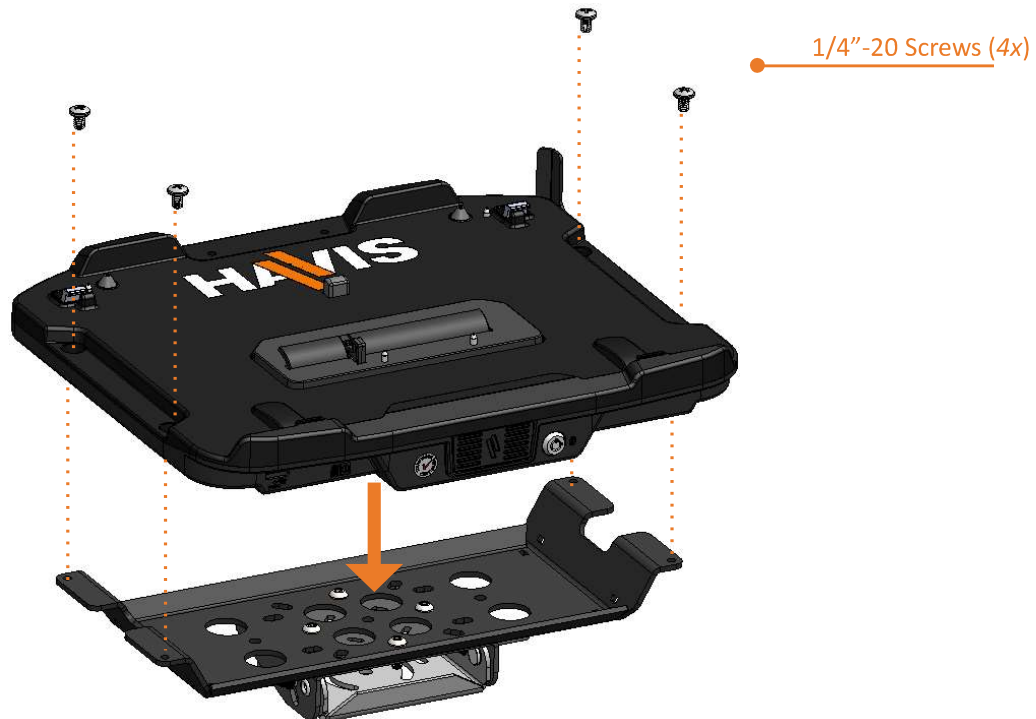
- 1) Remove the Mounting Bracket from the packaging. Install the Mounting Bracket to the Motion Device using (4) 1/4"-20 x 5/8" long screws (Hardware Kit Item 3). Torque screws to 80 in-lbs (9.0Nm) ± 10%.

NOTE: Numerous hole patterns present in Mounting Bracket will accommodate Havis Motion Devices as well as most competitors'. Additional hardware may be required for mounting depending on the mounting device selected.



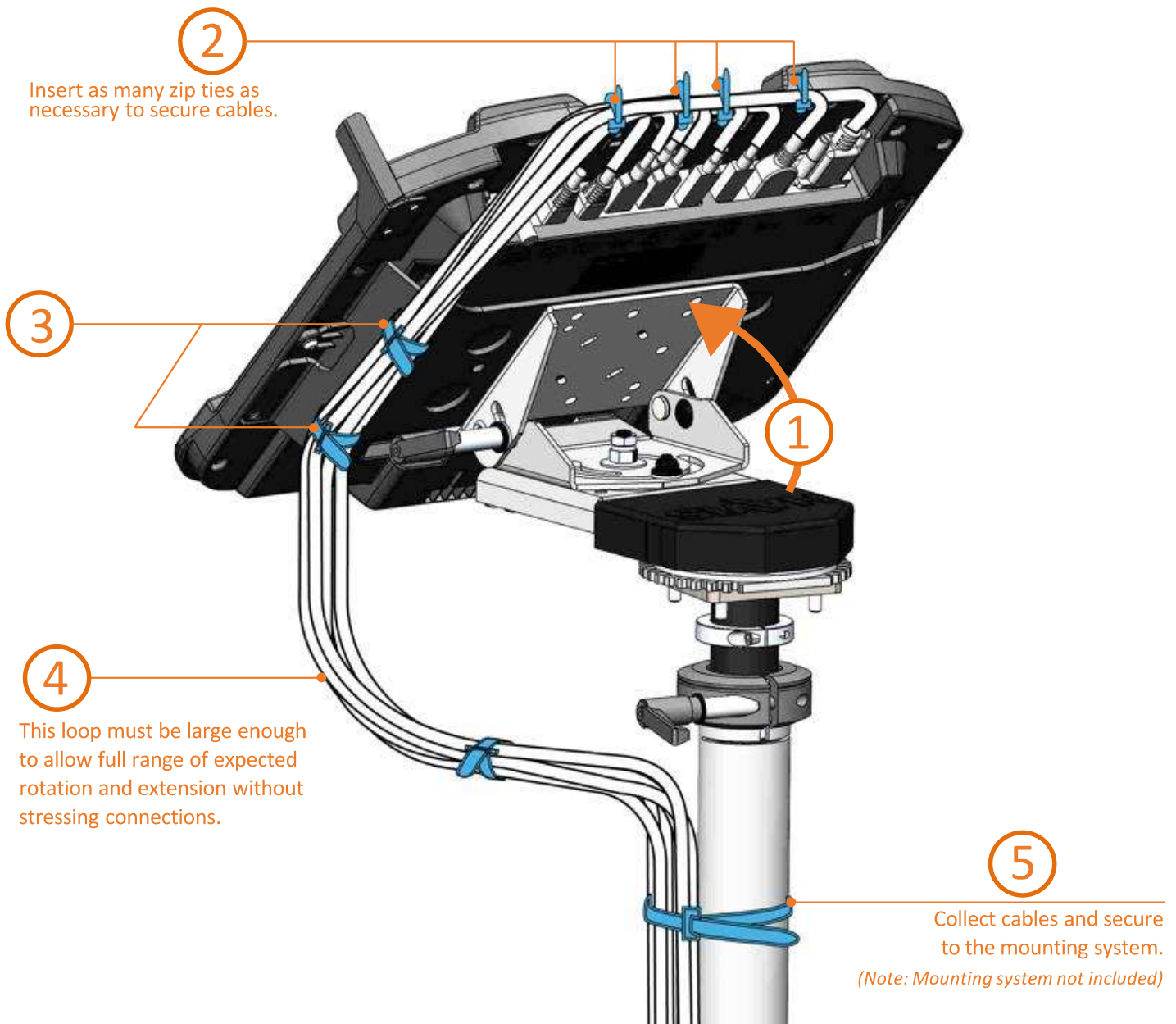
NOTE: We recommend applying a drop of medium strength (blue) thread locking adhesive to the threads of all fasteners.

- 2) Lower the Docking Station to the Mounting Bracket as shown. Secure with (4) 1/4"-20 x 3/8" long screws (Hardware Kit Item 4). Torque screws to 32 in-lbs. (3.5 Nm) ± 10%.



Cable Management

- 1) Tip the Docking Station to a position that is comfortable to work with.
- 2) Install all cables that are necessary for computing needs. Use Zip Ties (Hardware Kit Item 1) to strain relieve cables at rear of Docking Station.
- 3) Route all cables along one side to ensure proper cable management and avoid pinching any cables. Strain relieve the entire cable bundle to one of the strain relief points along the corners of the Mounting Bracket to prevent tension on the connectors.
- 4) Create a service loop with cables to ensure that no tension is on the connectors and to enable intended motion.
- 5) Tie off cables onto a stationary part of the mounting system.

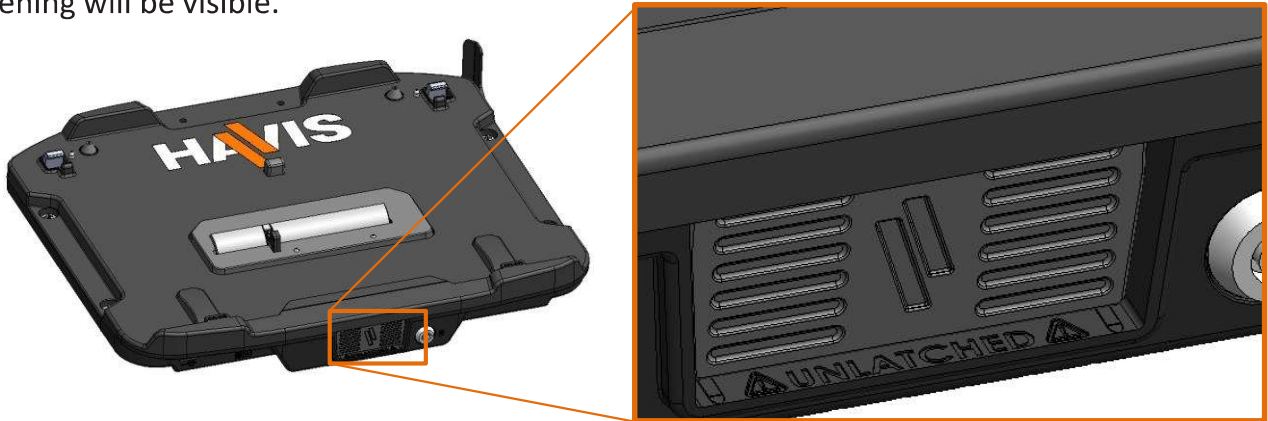


Operation - Docking

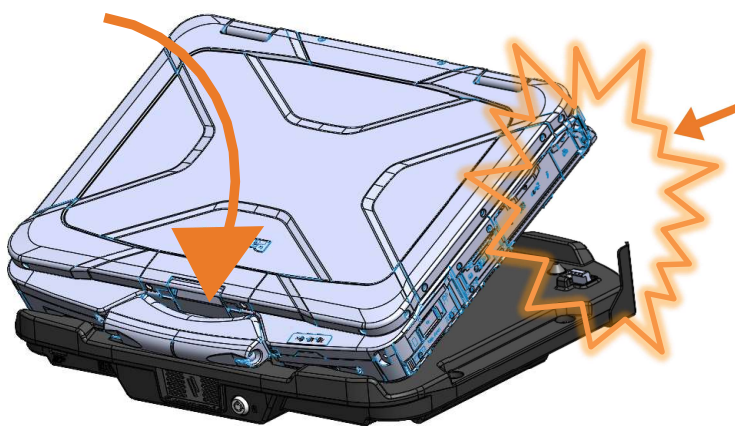
CAUTION

DO NOT FORCE LAPTOP ONTO DOCKING STATION. IF THERE IS RESISTANCE, CHECK ALIGNMENT OF COMPUTER ON DOCKING STATION.
NE FORCEZ PAS L'ORDINATEUR SUR LA STATION D'ACCUEIL. EN CAS DE RÉSISTANCE, VÉRIFIEZ SI VOTRE L'ORDINATEUR EST CORRECTEMENT CONFIGURÉE POUR LA STATION D'ACCUEIL.

- 1) Ensure Docking Station is unlatched prior to docking the Laptop. This is done by depressing the latch handle until you hear an audible click. Also the "UNLATCHED" text in the Latch Opening will be visible.

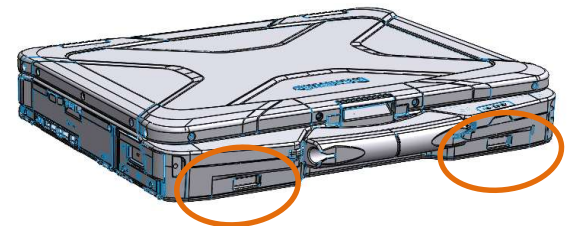


- 2) With rear of computer elevated, load front of computer into Docking Station ensuring the laptops front pockets align with the front hooks of the docking station.



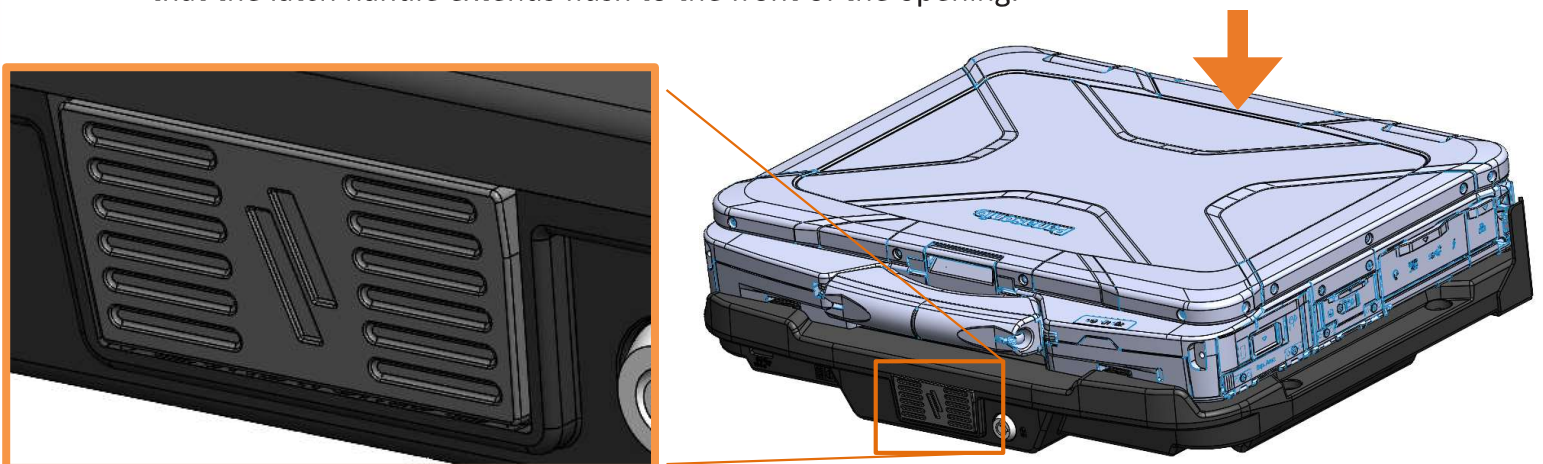
CAUTION

Beware of pinch concern between laptop and power port blocker bracket



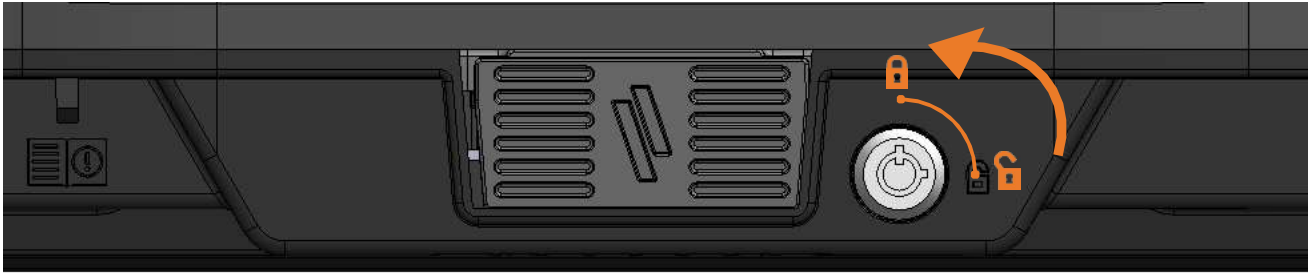
Front Pocket Locations

- 3) Press the back of computer onto Docking Station until the audible click of the latch hooks engage the laptop. To check that the laptop is fully latched in the docking station, ensure that the latch handle extends flush to the front of the opening.



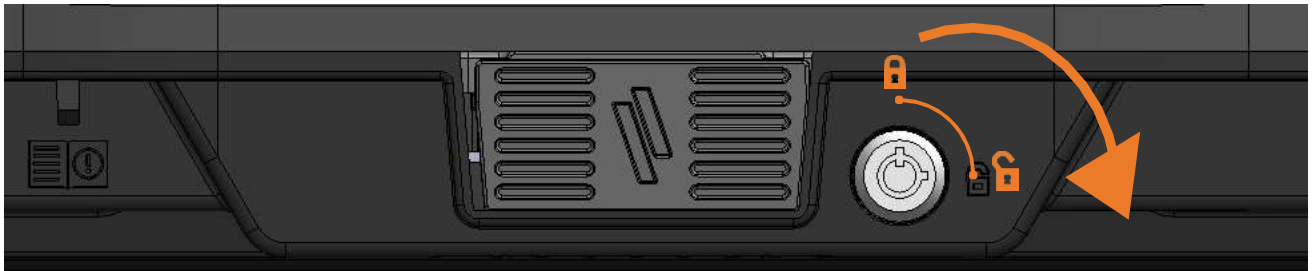
Operation - Docking (continued)

- 4) For theft deterrence, secure computer by locking Docking Station with supplied key (Hardware Kit Item 2).

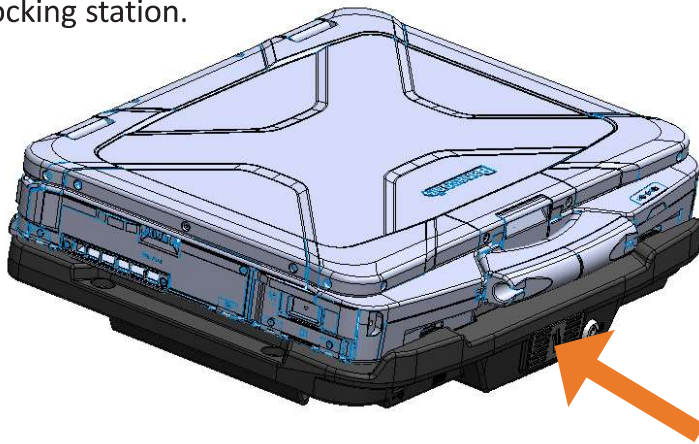


Operation - Undocking

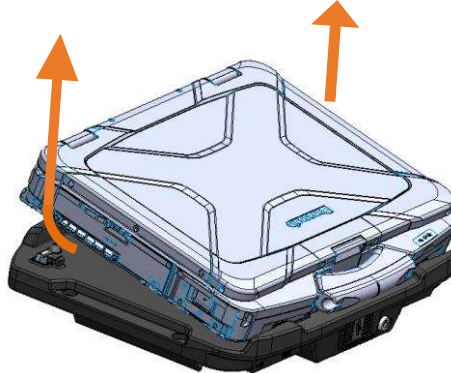
- 1) If previously locked, unlock Docking Station using supplied key. (Hardware Kit Item 2)



- 2) Press Latch Handle into the docking station until the back of the laptop lifts off the back of the docking station.



- 3) Once unlatched, grab both sides of the computer and carefully lift the laptop out of Docking Station, rear end first.



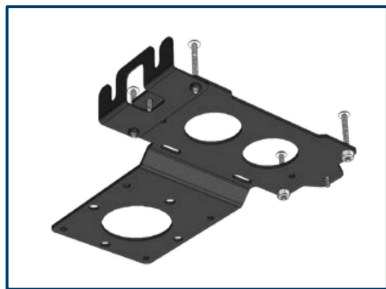
Related Products

Havis offers a wide variety of accessory products specifically for use with the DS-PAN-1500 Series Docking Station. For more information or to order, please visit www.havis.com.



LPS-103 *120W Power Supply*

External power supply and cable for Panasonic Toughbook 54 and 55 with cigarette lighter adaptor.



LPS-211 *Power Supply Mounting Bracket*

Mount a power supply or USB hub directly to your Docking Station with this versatile bracket.



DS-DA-423 *Screen Support*

Secure your laptop screen to prevent excess wear and reduce vibration while in use.



DS-DA-503 *Replacement Keys*

Set of two (2) replacement keys for the DS-PAN-1500 Series Docking Stations.